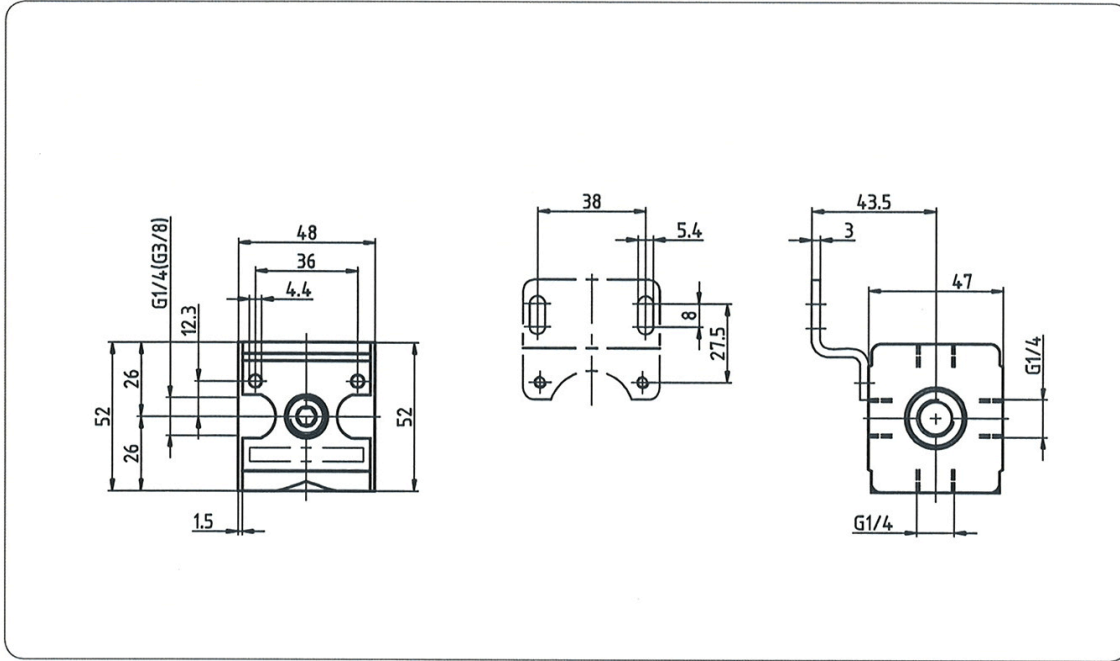
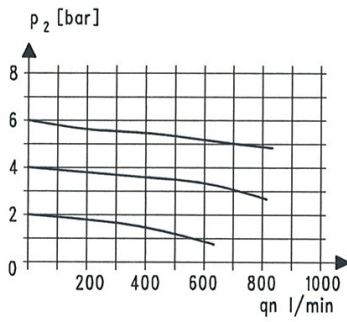




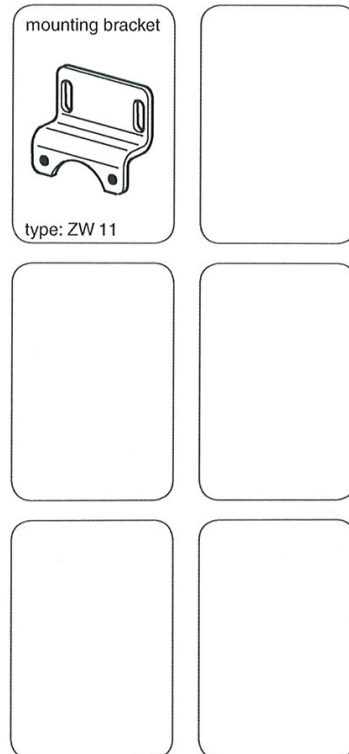
dimensions (mm)



flow characteristics



accessories



various application

